

AS106 – H2100 HELIOS Flat Roof

H2100-106 is an aluminum structure solution for 2 panels portrait. The system is provided with all needed clamps, connection base plates (to concrete blocks or steel piles) and stainless steel assembly screws in preassembled package. The inclination is 20° -30° / or can be customized as per exact requirements for large scale projects.



Materials

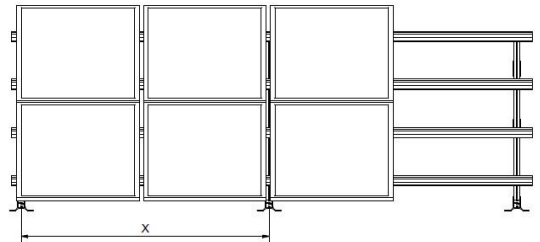
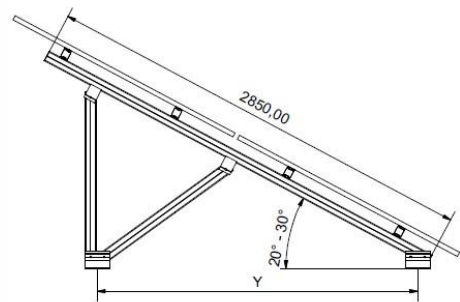
- Aluminum Alloy 6005T6
- Inox Screws

General characteristics

- Series: H2100
- Type: AS106
- Application: Free field & flat roof
- Alignment: Portrait
- Inclination: 20° - 30°
- Foundation: Pile ramming or concrete blocks or combination
- Lower PV module distance from the ground: 10-20cm
- Special characteristics: Pre assembled

Certification

- TUV Certification H-2416/10
- Static Analysis According Eurocodes 1,3,9
- ISO 9001 / ISO 14001
- Technical Manual
- Alumil 20 Year Guarantee



PRODUCT ACCESSORIES

Purling Codes*

EX-8960740300 PROFILE H2174 OF LENGTH 6200mm	EX-8960260000
EX-8960740200 PROFILE H2174 OF LENGTH 4200mm	EX-8960750000
EX-8960743150 PROFILE H2174 OF LENGTH 3150mm	EX-8964825000
EX-8960740100 PROFILE H2174 OF LENGTH 2100mm	EX-8960910000
EX-8960850600 PROFILE H2185 OF LENGTH 6200mm	EX-8960180200
EX-8960850400 PROFILE H2185 OF LENGTH 4200mm	EX-8960660000
EX-8960850300 PROFILE H2185 OF LENGTH 3150mm	EX-8960XX0100
EX-8960850200 PROFILE H2185 OF LENGTH 2100mm	EX-8960740040
EX-8960906000 PROFILE H2190 OF LENGTH 6200mm	EX-8960850040
EX-8960904000 PROFILE H2190 OF LENGTH 4200mm	EX-8960900040
EX-8960902000 PROFILE H2190 OF LENGTH 2100mm	

Aluminum Accessories

CONNECTION PLATE SMALL 40mm
CORE FOR PROFILE H2174
CORE FOR PROFILE H2185
CORE FOR PROFILE H2190
MID CLAMP
CAP OF PANEL CLAMP WITH 55mm LENGTH
END CLAMP XX mm, L=55mm - depends on panel thickness
END CUP FOR H2174 PROFILE-RAL1003 YELLOW
PLASTIC END CUP FOR H2185 PROFILE-YELLOW
PLASTIC END CUP FOR H2190 PROFILE-YELLOW

Bolts & Nuts

EX-8968008103	T-SLOT NUT M8 ALUMINIUM
EX-762908XX01	HEX SOCKET SCREW ISO4762 M8x XX A2 INOX - depends on panel thickness
EX-7627300801	SERRATED LOCK WASHER DIN6798-A M8 A2 INOX

Triangle Codes

EX-8961062550	TRIANGLE-BASE OF AS106.25 SERIES
EX-8961063030	TRIANGLE-BASE OF AS106.30 SERIES

*In large scale projects purlings can be produced in special lengths

20 YEARS
GUARANTEE