

AS182 PLUS- H2100 HELIOS Free Field

H2100-182 PLUS system is the evolution of the successful AS182 with the replacement of the standard beam with a beam that can be elongated or shortened. This system is applicable not only for future build PV plants, but also for existing PV plants where AS182 mounting structure was installed. In this case, the beams of AS182 should be replaced with the adjustable beams of AS182 Plus.

The advantages and the innovations of this mounting structure include:

- Adjustable inclination of the structure from 10° to 35°.
- Estimated 5% to 7% additional annual productivity.
- Fast inclination change of the tables with the usage of semi automated system (including actuators and control box).
- Certified according to Eurocodes with 20 years' warranty.
- Structural and static study for each project after closing the deal.
- Special system to prevent direct contact between steel and aluminum parts.

Materials

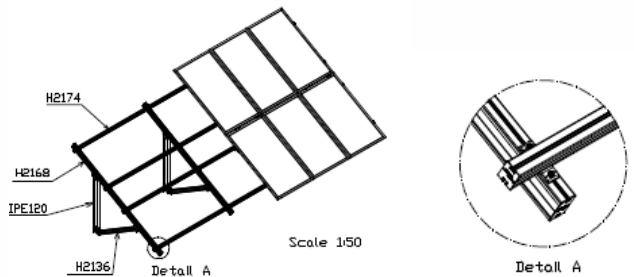
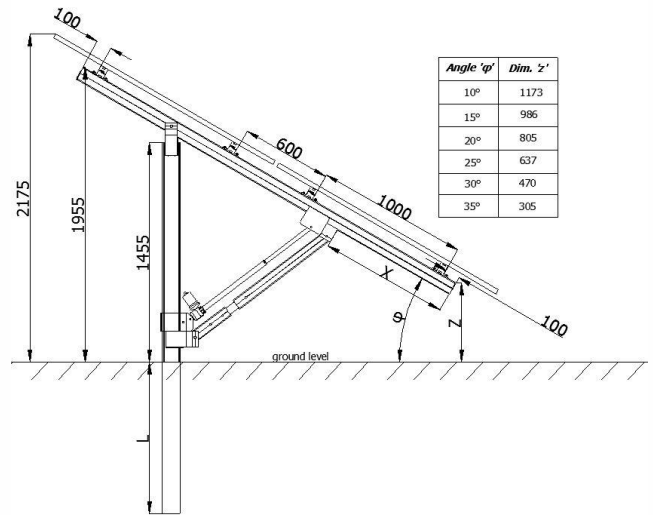
- Aluminum Alloy 6005T6
- Hot dip Galvanized pile IPE120
- Polyamide part to prevent direct contact between steel and aluminum parts
- Inox Screws

General characteristics

- Series: H2100
- Type: AS182 Plus
- Application: Free field
- Alignment: Portrait
- Inclination: 10° – 35°
- Foundation: Pile ramming or pile combined with concrete
- Special characteristics: Pre assembled, adjustable angle

Certification

- TUV Certification H12/8171-A
- Static Analysis According Eurocodes 1,3,9
- ISO 9001 / ISO 14001
- Technical Manual
- Alumil 20 Year Guarantee



PRODUCT ACCESSORIES

Triangle Code	Aluminum Accessories	Galvanized Piles
EX-8961820000 TRIANGLE-BASE OF AS182 PLUS SERIES	COMPRESSION PLATE SMALL 40mm	EX-8961224000 GALVANIZED PILE IPE120 LENGTH 3,0M
Preassembled Beam Code	CORE FOR PROFIL H2174	EX-8961230000 GALVANIZED PILE IPE120 LENGTH 3,0M
EX-8961829900 BEAM OF AS182 PLUS SERIES	CORE FOR PROFIL H2185	EX-8961235000 GALVANIZED PILE IPE120 LENGTH 3,5M
Purling Codes*	CORE FOR H2190	
EX-8960740300 PROFILE H2174 OF LENGTH 6200mm	CONNECTOR FOR WINDSHIELD	Bolts & Nuts
EX-8960740200 PROFILE H2174 OF LENGTH 4200mm	MID CLAMP	EX-8968008103 T-SLOT NUT M8 ALUMINIUM
EX-8960740100 PROFILE H2174 OF LENGTH 2100mm	CAP OF PANEL CLAMP WITH 55mm LENGTH	EX-762908XX01 HEX SOCKET SCREW ISO4762 M8x XX A2 INOX - depends on panel thickness
EX-8960850600 PROFILE H2185 LENGTH 6200mm	END CLAMP XX mm, L=55mm - depends on panel thickness	EX-8968808201 HEXAGON NUT DIN6923 M8 WITH SERRATION M8 INOX
EX-8960850400 PROFILE H2185 LENGTH 4200mm	WINDSHIELD H2309	EX-7627300801 SERRATED LOCK WASHER DIN6798-A M8 A2 INOX
EX-8960850200 PROFILE H2185 LENGTH 2100mm	END CUP FOR H2174 PROFILE-RAL1003 YELLOW	EX-7626703201 DIN 7504-K SELF DRILLING SCREW 6,3x32 A2 INOX
EX-8960906000 PROFILE H2190 OF LENGTH 6200mm	PLASTIC END CUP FOR H2185 PROFILE-YELLOW	EX-7622802001 HEXAGON SCREW M8X20 DIN933 INOX A2
EX-8960904000 PROFILE H2190 OF LENGTH 4200mm	PLASTIC END CUP FOR H2190 PROFILE-YELLOW	EX-7628200901 SQUARE NUT DIN557 M8 A2 INOX
EX-8960902000 PROFILE H2190 OF LENGTH 2100mm		

*In large scale projects purlings can be produced in special lengths