

AS190 - H2100 HELIOS Free Field

H2100-190 system is the most innovative mounting system for PV installation in fields which gives the opportunity to the installer to deal with the imbalances and the soil inclinations with a simple and economical manner.

Advantages and innovations that are included in this type of mounting system:

- Adjustable up to +/-10o (or 18%) soil's inclination.
- Minimization of the installation time.
- Usage of only one pile per mounting triangle
- Less time for the leveling since the installer has to level only according to East-West direction.
- Fewer screws.
- Certified according to Eurocodes with 20 years' warranty.
- Structural and static study for each project after clinching the deal.
- Special system preventing from direct contact between steel and aluminum parts.



Materials

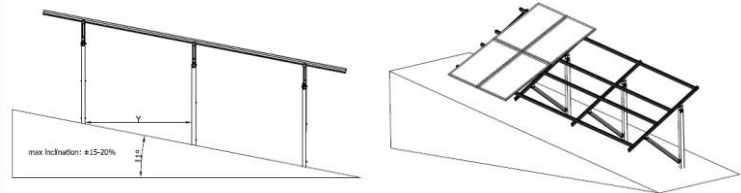
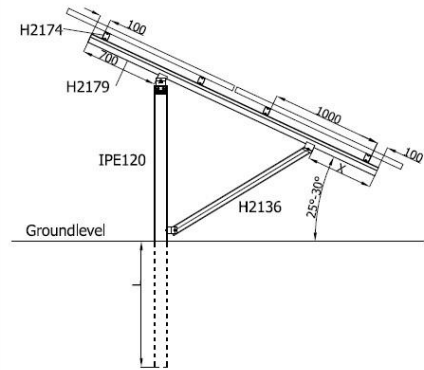
- Aluminum Alloy 6005T6
- Hot dip Galvanized pile IPE120
- Polyamide part preventing from direct contact between steel and aluminum parts

General characteristics

- Series: H2100
- Type: AS190
- Application: Free field
- Alignment: Portrait
- Inclination: 25° – 30°
- Foundation: Pile ramming or pile combined with concrete
- Special characteristics: Pre assembled

Certification

- TUV Certification H12/8171-A
- Static Analysis According Eurocodes 1,3,9
- ISO 9001 / ISO 14001
- Technical Manual
- Alumil 20 Year Guarantee



PRODUCT ACCESSORIES

Triangle Codes

EX-8961902500 TRIANGLE-BASE OF AS190 SERIES

Purling Codes*

EX-8960740300 PROFILE H2174 OF LENGTH 6200
 EX-8960740200 PROFILE H2174 OF LENGTH 4200
 EX-8960740100 PROFILE H2174 OF LENGTH 2100
 EX-8960850600 PROFILE H2185 LENGTH 6200mm
 EX-8960850400 PROFILE H2185 LENGTH 4200mm
 EX-8960850200 PROFILE H2185 LENGTH 2100mm
 EX-8960906000 PROFILE H2190 OF LENGTH 6200mm
 EX-8960904000 PROFILE H2190 OF LENGTH 4200mm
 EX-8960902000 PROFILE H2190 OF LENGTH 2100mm

Aluminum Accessories

EX-8960260000 CONNECTION PLATE SMALL 40mm
 EX-8960750000 CORE FOR PROFILE H2174
 EX-8964825000 CORE FOR PROFILE H2185
 EX-8960910000 CORE FOR H2190
 EX-8962307300 CONNECTOR FOR WINDSHIELD
 EX-8960180200 MID CLAMP
 EX-8960660000 CAP OF PANEL CLAMP WITH 55mm LENGTH
 EX-8960XX0100 END CLAMP XXmm, L=55mm - depends on panel thickness
 EX-WINDSHIELD AS182 WINDSHIELD H2309
 EX-8960740040 END CUP FOR H2174 PROFILE-RAL1003 YELLOW
 EX-8960850040 PLASTIC END CUP FOR H2185 PROFILE-YELLOW
 EX-8960900040 PLASTIC END CUP FOR H2190 PROFILE-YELLOW

Galvanized Piles

EX-8961224000 GALVANIZED PILE IPE120 LENGTH 3,0M
 EX-8961230000 GALVANIZED PILE IPE120 LENGTH 3,0M
 EX-8961235000 GALVANIZED PILE IPE120 LENGTH 3,5M

Bolts & Nuts

EX-8968008103 T-SLOT NUT M8 ALUMINIUM
 EX-762908XX01 HEX SOCKET SCREW ISO4762 M8x XX A2 INOX - depends on panel thickness
 EX-8968808201 HEXAGON NUT DIN6923 M8 WITH SERRATION M8 INOX
 EX-7627300801 SERRATED LOCK WASHER DIN6798-A M8 A2 INOX
 EX-7626703201 DIN 7504-K SELF DRILLING SCREW 6,3x32 A2 INOX
 EX-7622802001 HEXAGON SCREW M8X20 DIN933 INOX A2
 EX-7628200901 SQUARE NUT DIN557 M8 A2 INOX

*In large scale project purlings can be produced in special lengths

20 YEARS
GUARANTEE