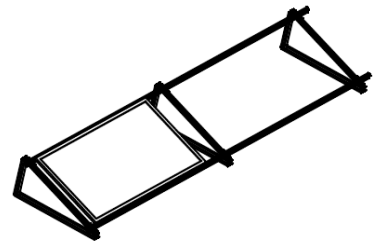
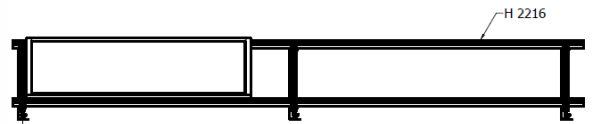
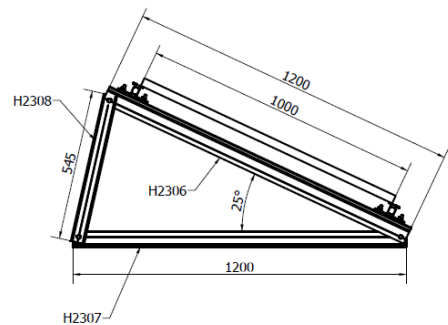


AS370- H2300 HELIOS Flat Roof

H2300 series are designed for easy assembly on the terrace surface. These are lightweight structures that consist of few components. The maximum span is 2m between the mounting points depending on the wind and snow loads. There is also the ability to change the slope from 10 up to 35 degrees.



Materials

- Aluminum Alloy 6005T6
- Inox Screws

General characteristics

- Series: H2300
- Type: AS370
- Application: Flat roof
- Alignment: Landscape
- Inclination: 15°-30°
- Foundation: Concrete
- Special characteristics: Preassembled, light mounting structure

Certification

- Static Analysis According Eurocodes 1,3,9
- ISO 9001 / ISO 14001
- Technical Manual
- Alumil 20 Year Guarantee

PRODUCT ACCESSORIES

Triangle Codes

EX-8962308100 TRIANGLE-BASE OF AS370

Purling Codes

EX-8960740300 PROFILE H2174 OF LENGTH 6200mm
 EX-8960740200 PROFILE H2174 OF LENGTH 4200mm
 EX-8960740100 PROFILE H2174 OF LENGTH 2100mm
 EX-8962216700 PROFILE H2216 OF LENGTH 6200mm
 EX-8962216600 PROFILE H2216 OF LENGTH 4200mm
 EX-8962216300 PROFILE H2216 OF LENGTH 3150mm
 EX-8962216500 PROFILE H2216 OF LENGTH 2100mm

Aluminum Accessories

EX-8962216100 BACK POLE FOR 25° INCLINATION - AS370
 EX-8960750000 CORE FOR PROFILE H2174
 EX-8962200200 CORE FOR PROFILE H2216
 EX-8960180200 PANEL CLAMP
 EX-8960660000 CAP OF PANEL CLAMP, L=55mm
 EX-8960XX0100 PANEL EDGE CLAMP XXmm - depends on panel thickness
 EX-8960740040 END CUP FOR H2174 PROFILE-RAL1003 YELLOW

Bolts & Nuts

EX-8968008103 T-SLOT NUT M8 ALUMINIUM
 EX-762908XX01 HEX SOCKET BOLT ISO4762 M8x XX A2 INOX - depends on panel thickness
 EX-7627300801 SERRATED LOCK WASHER DIN6798-A M8 A2 INOX
 EX-8969122081 HAMMERHEAD BOLT WITH EPDM M8x22mm INOX
 EX-7626703201 SELF DRILLING SCREW DIN 7504-K 6,3x32 A2 INOX