

# AS116 - H2100 HELIOS Free Field

**H2100-116** is an aluminum structure solution for 2 panels portrait or 3 panels landscape. The system is provided with all needed clamps, connection base plates (to concrete blocks or steel piles) and stainless steel assembly screws in preassembled package. The inclination is 20° - 30° / or can be customized as per exact requirements for large scale projects.



## Materials

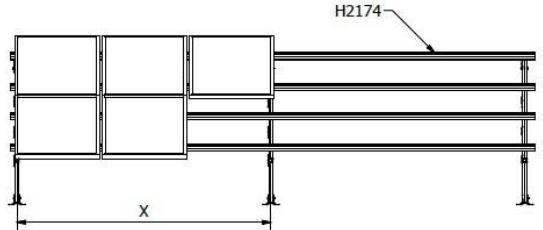
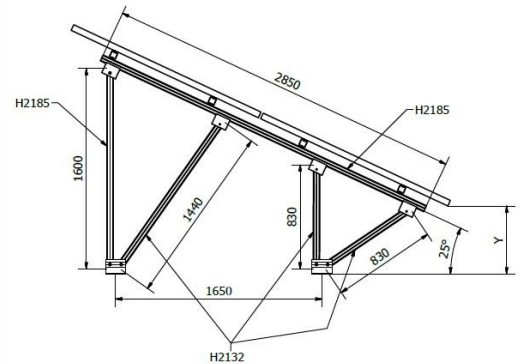
- Aluminum Alloy 6005T6
- Inox Screws

## General characteristics

- Series: H2100
- Type: AS116
- Application: Free field & flat roof
- Alignment: Portrait-Landscape
- Inclination: 20° – 30°
- Foundation: pile ramming or concrete blocks or combination
- Distance lower PV module from the ground: 40-50cm
- Special characteristics: Preassembled

## Certification

- Static Analysis According Eurocodes 1,3,9
- ISO 9001 / ISO 14001
- Technical Manual
- Alumil 20 Year Guarantee



## PRODUCT ACCESSORIES

Purling Codes*		Aluminum Accessories		Bolts & Nuts	
EX-8960740300	PROFILE H2174 OF LENGTH 6200mm	EX-8960260000	CONNECTION PLATE SMALL 40mm	EX-8968008103	T-SLOT NUT M8 ALUMINIUM
EX-8960740200	PROFILE H2174 OF LENGTH 4200mm	EX-8960750000	CORE FOR PROFILE H2174	EX-762908XX01	HEX SOCKET BOLT ISO4762 M8x XX A2 INOX - depends on panel thickness
EX-8960743150	PROFILE H2174 OF LENGTH 3150mm	EX-8964825000	CORE FOR PROFILE H2185	EX-8968808201	HEXAGON NUT DIN6923 M8 WITH SERRATION M8 INOX
EX-8960740100	PROFILE H2174 OF LENGTH 2100mm	EX-8960910000	CORE FOR H2190	EX-7627300801	SERRATED LOCK WASHER DIN6798-A M8 A2 INOX
EX-8960850600	PROFILE H2185 LENGTH 6200mm	EX-8960180200	MID CLAMP	EX-8969122081	HAMMERHEAD BOLT WITH EPDM M8x22mm INOX
EX-8960850400	PROFILE H2185 LENGTH 4200mm	EX-8960660000	CAP OF PANEL CLAMP WITH 55mm LENGTH	EX-7622808001	HEXAGON BOLT ISO4017/DIN933 M8x70 A2 INOX
EX-8960850300	PROFILE H2185 LENGTH 3150mm	EX-8960XX0100	END CLAMP XXmm, L=55mm - depends on panel thickness		
EX-8960850200	PROFILE H2185 LENGTH 2100mm	EX-WINDSHIELD AS116	WINDSHIELD H2309		
EX-8960906000	PROFILE H2190 OF LENGTH 6200mm	EX-8960740040	END CUP FOR H2174 PROFILE-RAL1003 YELLOW	EX-8961162510	TRIANGLE-BASE OF AS116.25
EX-8960904000	PROFILE H2190 OF LENGTH 4200mm	EX-8960850040	PLASTIC END CUP FOR H2185 PROFILE-YELLOW	EX-8961163010	TRIANGLE-BASE OF AS116.30
EX-8960902000	PROFILE H2190 OF LENGTH 2100mm	EX-8960900040	PLASTIC END CUP FOR H2190 PROFILE-YELLOW		

\*In large scale project purlings can be produced in special lengths

**20 YEARS**  
**GUARANTEE**